

# ZIPSCREEN OVERVIEW//



## WHAT IS ZIPSCREEN?

**ZIPSCREEN IS THE ULTIMATE EXTERNAL SCREENING SOLUTION FOR ANY OUTDOOR AREA OR WINDOW**



### Side Fastening System

- Fabric secured within side guide
- Concealed Zip

# APPLICATIONS

## ZIPSCREEN SEAMLESSLY INTERGRATES INDOOR & OUTDOOR LIVING AREAS



Patio Areas & Pergolas



Verandas



Cafes



Commercial applications



Indoor / Outdoor  
Entertainment Areas



External Window Blinds

# BENEFITS



Protection from elements  
Sun / UV Rays  
Rain

/ Maintains external views

/ Easy to use



Protection from  
Insects

/ Energy efficient



Wind resistant

/ Contemporary design



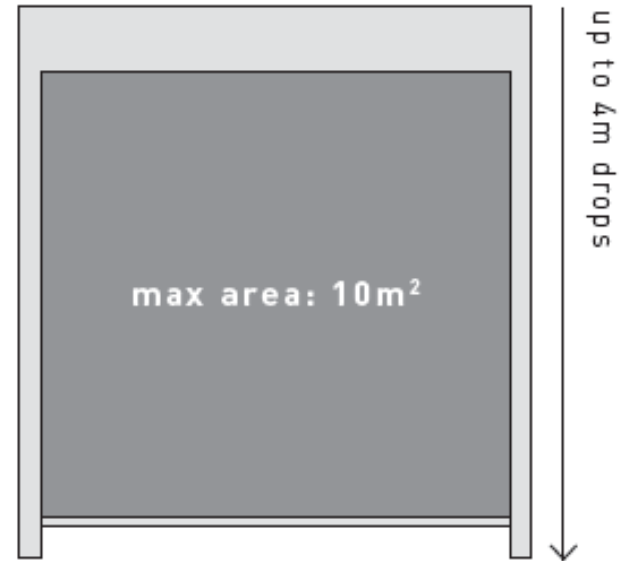
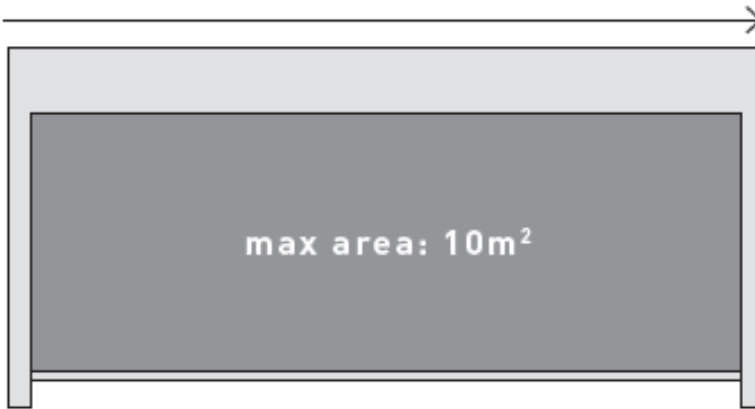
Privacy



Custom Colour

# CAPABILITES

up to 5m widths





# ZIPSCREEN EXTREME

DESIGNED TO ACHIEVE LARGER COVERAGE, ZIPSCREEN EXTREME CAN ACHIEVE 7m SPANS



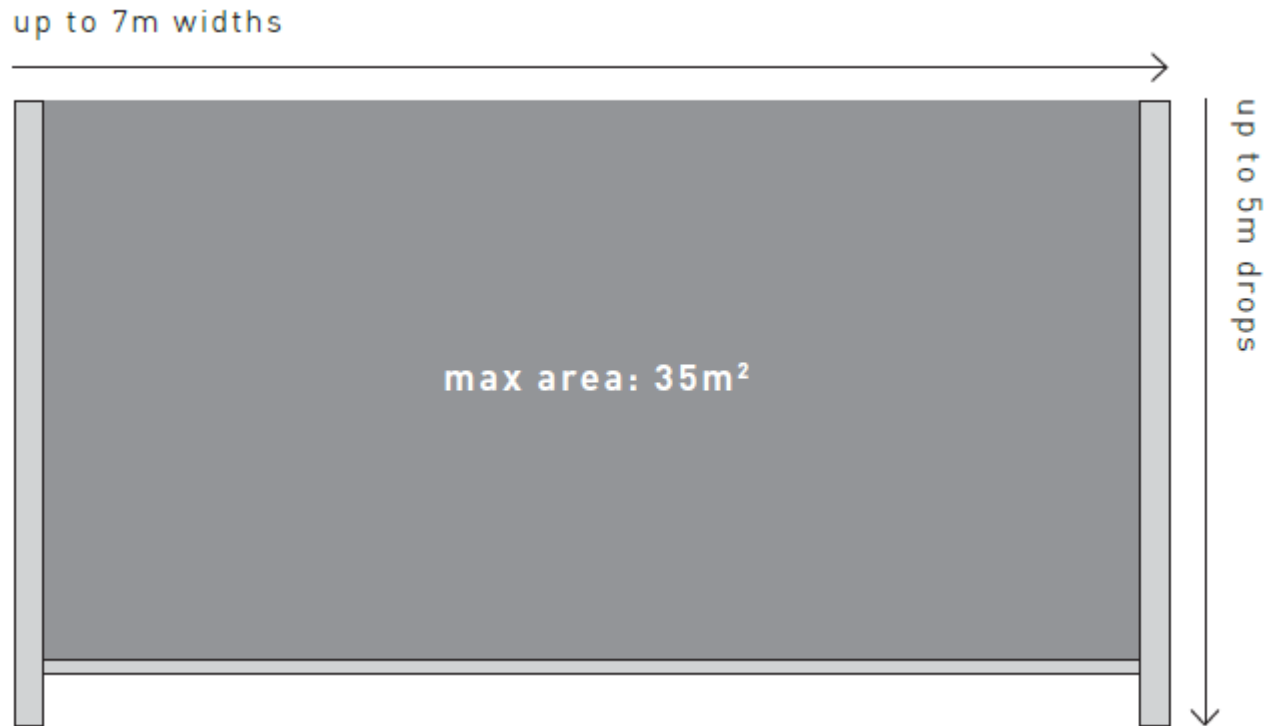
Coastal Approved



# CAPABILITIES

## ZIPSCREEN EXTREME

(open blind system only)

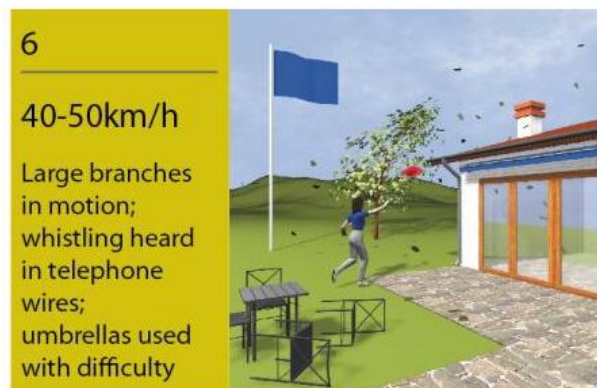


# WIND RESISTANT SYSTEM

Beaufort Wind Force Scale estimates wind strengths based on the effects wind has on the physical environment



**Zipscreen can withstand winds up to 50km/h**







# SYSTEM CAPABILITIES

## ZIPSCREEN EXTREME WIND SPECIFICATIONS | BEAUFORT WIND SCALE

Drop (m)	Width (m)																					
	3.0	3.2	3.4	3.6	3.8	4.0	4.2	4.4	4.6	4.8	5.0	5.2	5.4	5.6	5.8	6.0	6.2	6.4	6.6	6.8	7.0	
10																						
11																						
12																						
13																						
14																						
15																						
16																						
17																						
18																						
19																						
2.0																						
2.1																						
2.2																						
2.3																						
2.4																						
2.5																						
2.6																						
2.7																						
2.8																						
2.9																						
3.0																						
3.1																						
3.2																						
3.3																						
3.4																						
3.5																						
3.6																						
3.7																						
3.8																						
3.9																						
4.0																						
4.1																						
4.2																						
4.3																						
4.4																						
4.5																						
4.6																						
4.7																						
4.8																						
4.9																						
5.0																						

# KEY SYSTEM FEATURES

ENCLOSED BOX



OPEN BOX



CONTROLS



MOTOR



CRANK



SPRING

# KEY SYSTEM FEATURES

## SIMPLE & ELEGANT DESIGN



ZIPSCREEN – FULL  
ALUMINIUM HEAD BOX



OTHER COMPETITORS

# KEY SYSTEM FEATURES

## WELDABLE / MALLABLE HIDDEN ZIP



HIDDEN ZIP



ZIPSCREEN



EXPOSED KEDAR

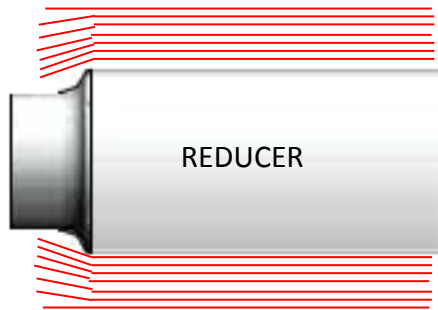
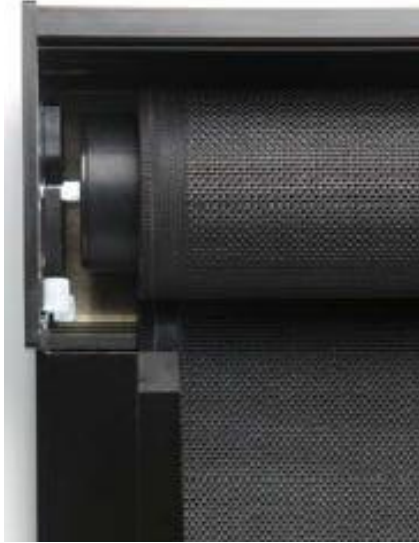


OTHER COMPETITORS

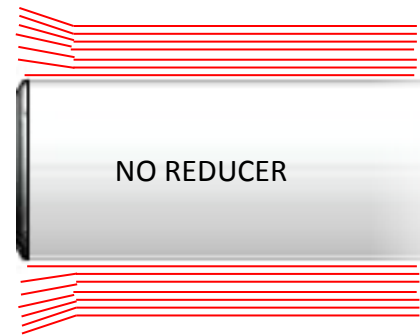


# KEY SYSTEM FEATURES

## REDUCERS WITH ZIP



ZIPSCREEN



OTHER COMPETITORS

## KEY SYSTEM FEATURES

### BLIND IN SITU

The features designed into Zipscreen prevent rippling and waves throughout fabric for a better finish.



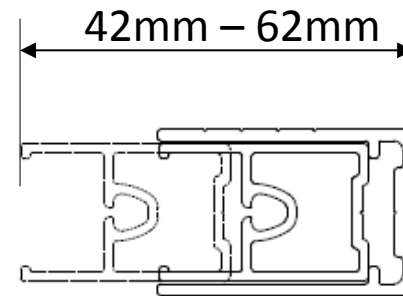
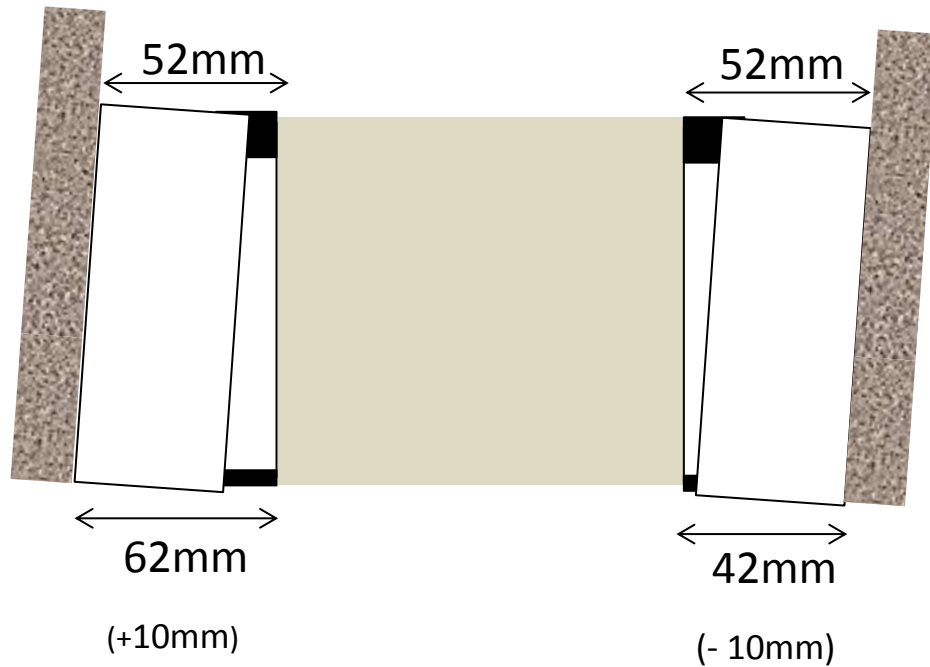
ZIPSCREEN



OTHER COMPETITORS

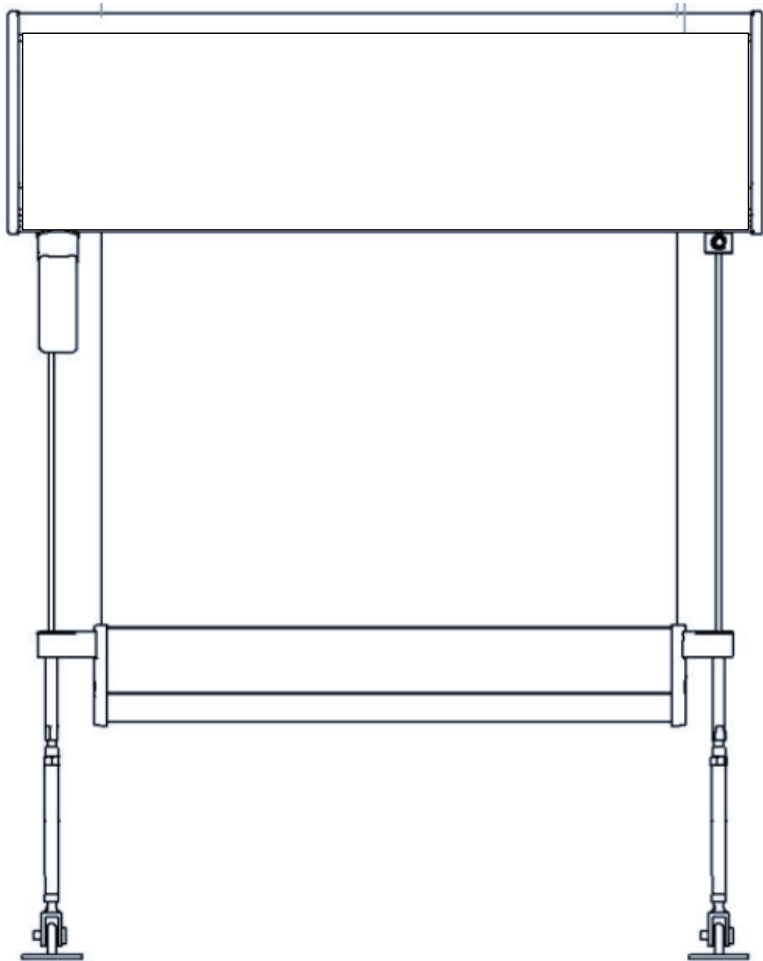
# KEY SYSTEM FEATURES

## SIDE GUIDE ADJUSTMENT FOR OUT OF SQUARE APPLICATIONS



- / 20mm Adjustment on each side
- / Out-of-square structure
- / Non-floating inner rail

## AVAILABLE AS WIRE GUIDE SYSTEM



COMMON HARDWARE

# AUTOMATE S60 FOR ZIPSCREEN & WIRE GUIDE SYSTEMS

## RADIO FREQUENCY REMOTE CONTROL – ELECTRONIC LIMITS

### CAPACITY

- / 20 Nm → 50kg lifting capacity - it covers the full Zipscreen dimensions range
- / 15 Rpm → roll up a 1.9m blind in 30 sec.

### COLLISION CONTROL FUNCTION

- / preserves fabric and blind

### FAVOURITE POSITION SETTING

### 5 SIMPLE STEP PROGRAMMING PROCEDURE



# CONTROLS RANGE: RF500 SERIES REMOTE & WIND/SUN SENSOR

## RF500 SERIES REMOTE

- / One channel, 15 Channels, 5 Channels with Timing function
- / Contemporary design
- / Slimline magnetic wall mount
- / Timer function: Daily opening/closing schedule



## WIND/SUN SENSOR

- / Detects wind speed and retracts the awnings to avoid damages (3 wind speed grades)
- / Open/close the awning according the sun light intensity (4 sun light grades)
- / Light function can be deactivated
- / Radio frequency control (up to 20 motors)



# TECHNICAL SUPPORT

- / Complete support documentation including Manuals & programming Instruction leaflets
- / Video programming instructions / [ACMEDA CHANNEL](#)
- / Phone support
  1. Customer service
  2. Technical support
  3. Product Manager
  4. Account manager

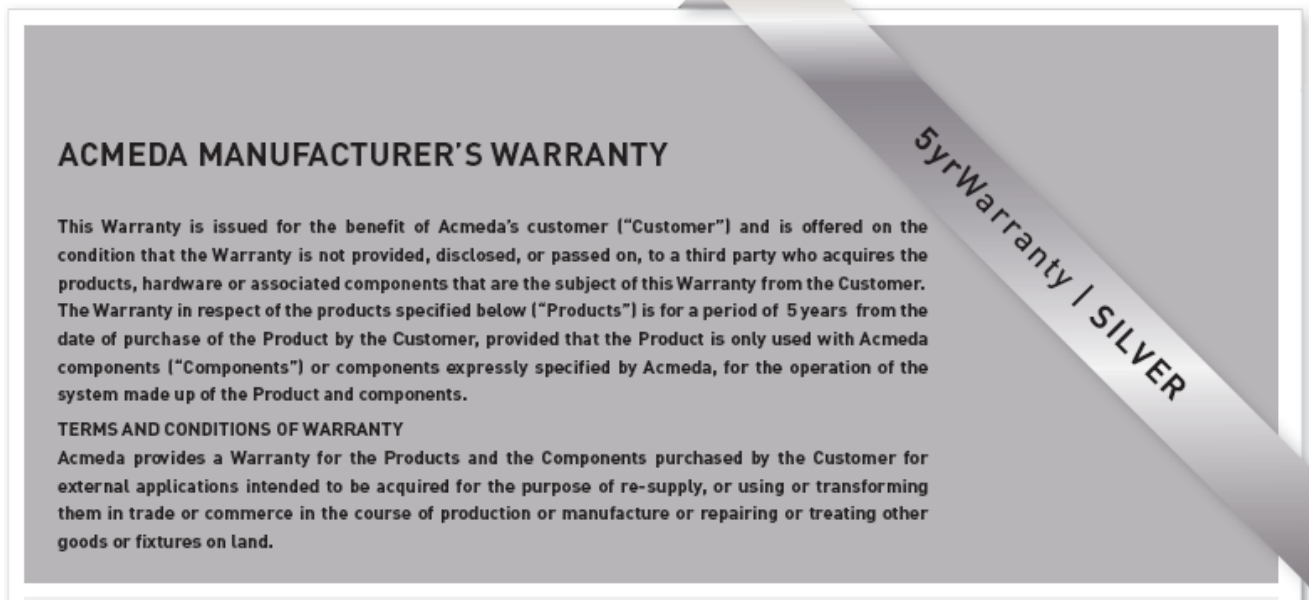


\* Please note all support requests should always begin with manufacturer

# WARRANTY

## ACMEDA PROVIDE **5 YEAR HARDWARE WARRANTY** TO ZIPSCREEN MANUFACTURERS

- Applicable to normal use
- Limited to repair and resupply of defective hardware
- Does not apply where defects arise due to incorrect assembly and installation



**ACMEDA MANUFACTURER'S WARRANTY**

This Warranty is issued for the benefit of Acmeda's customer ("Customer") and is offered on the condition that the Warranty is not provided, disclosed, or passed on, to a third party who acquires the products, hardware or associated components that are the subject of this Warranty from the Customer. The Warranty in respect of the products specified below ("Products") is for a period of 5 years from the date of purchase of the Product by the Customer, provided that the Product is only used with Acmeda components ("Components") or components expressly specified by Acmeda, for the operation of the system made up of the Product and components.

**TERMS AND CONDITIONS OF WARRANTY**

Acmeda provides a Warranty for the Products and the Components purchased by the Customer for external applications intended to be acquired for the purpose of re-supply, or using or transforming them in trade or commerce in the course of production or manufacture or repairing or treating other goods or fixtures on land.

**ZIPSCREEN  
MEASURE &  
SPECIFY //**

**PRODUCT SPECIFICATIONS**



# PRODUCT SPECIFICATIONS

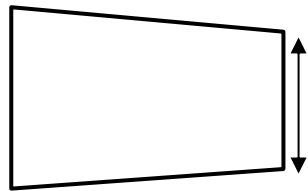
SECTION	DESCRIPTION		PAGE NO.
A	SPECIFICATION CHARTS		
	PART 1	SPRING & GEAR FOR 60MM TUBE	Page. 01 - 02
	PART 2	SPRING, GEAR & MOTOR FOR 80MM TUBE	Page. 03 - 09
	PART 3	WEIGHT BAR	Page. 10
	PART 4	WIND SPECIFICATIONS	Page. 11
	PART 5	SYSTEM WEIGHT	Page. 12
B	DEDUCTIONS		
	PART 1	SYSTEM DEDUCTIONS FOR FACE FIX INSTALLATIONS	Page. 13
	PART 2	SYSTEM DEDUCTIONS FOR SIDE FIX INSTALLATIONS	Page. 14
	PART 3	TUBE DEDUCTIONS FOR 60MM TUBE	Page. 15
	PART 4	TUBE DEDUCTIONS FOR 80MM TUBE	Page. 16 - 17
	PART 5	MAXIMUM ROLL DIAMETERS	Page. 17
C	MATERIAL COMPOUNDS		Page. 18
D	WARRANTY		Page. 19
E	MEASURE & SPECIFY		Page. 20 - 27



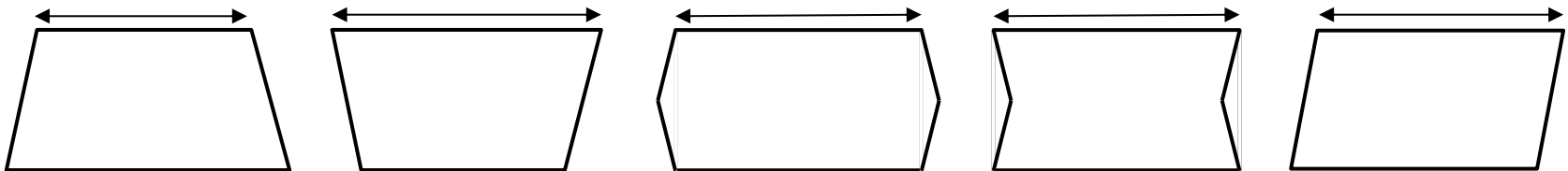
# MEASURE & SPECIFY

## DROP & WIDTH OF A ZIPSCREEN

It is important to determine Blind Drop correctly

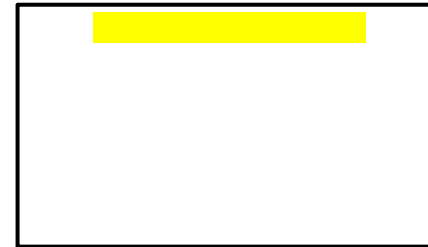


It is important to determine Blind Width correctly

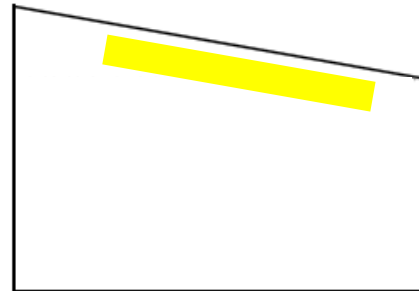


## DETERMINE DROP OF ZIPSCREEN

Check if top of installation space is level?



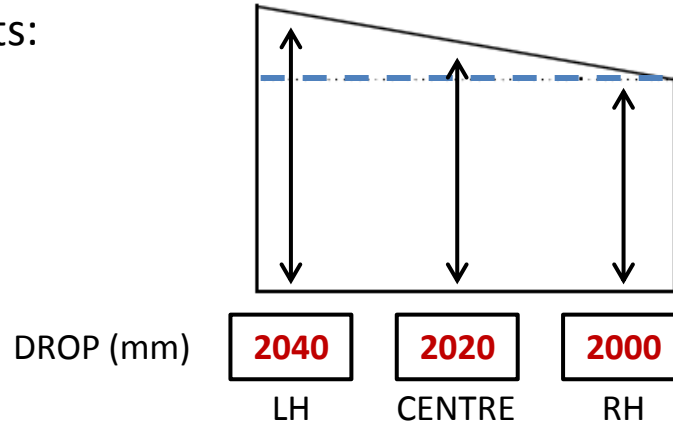
If top is uneven, ensure Width and Drop measurements taken from lowest point



## DETERMINE DROP OF ZIPSCREEN

Measure Installation Drop at three points:

- Left Hand Side
- Centre
- Right Hand Side



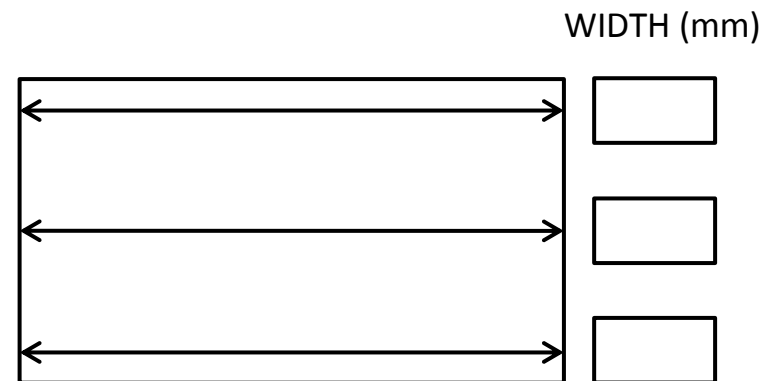
Determine Blind Drop:  
= smallest value – 2mm

$$\begin{aligned}\text{BLIND DROP} &= 2000 - 2 \\ &= 1998\end{aligned}$$

## DETERMINE WIDTH OF ZIPSCREEN

Measure Installation Width at three points:

- Top
- Centre
- Bottom



## DETERMINE WIDTH OF ZIPSCREEN

Check if sides walls or posts are level



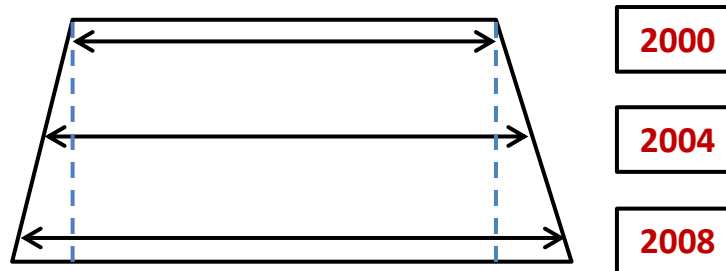
Zipscreen can accommodate for uneven walls up to **10mm** on each side.

# DETERMINE WIDTH OF ZIPSCREEN

## SCENARIO 01

Top Width smaller than Bottom Width | Sides are not level

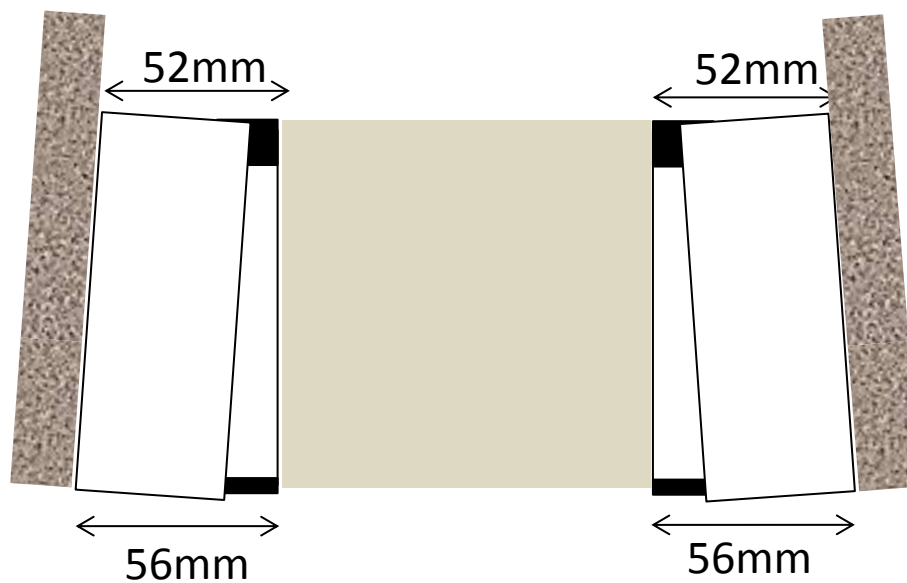
If the largest measurement is less than 10mm, No Packing is required.



**BLIND WIDTH = 2000**

# DETERMINE WIDTH OF ZIPSCREEN

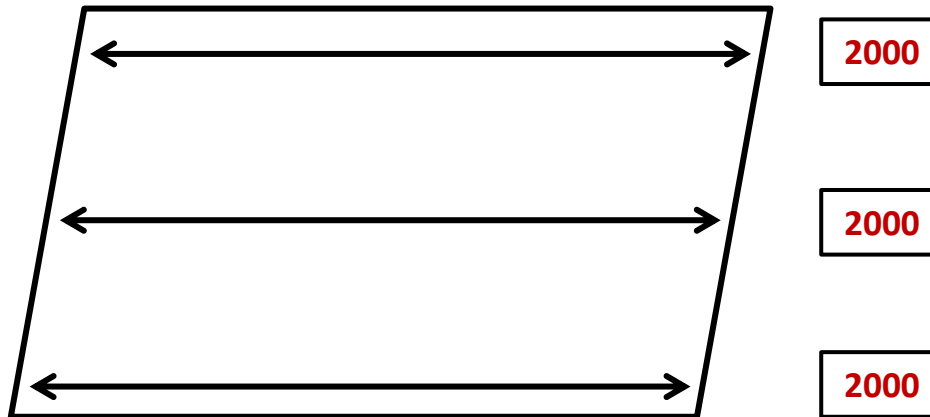
## SCENARIO 01



# DETERMINE WIDTH OF ZIPSCREEN

## SCENARIO 02

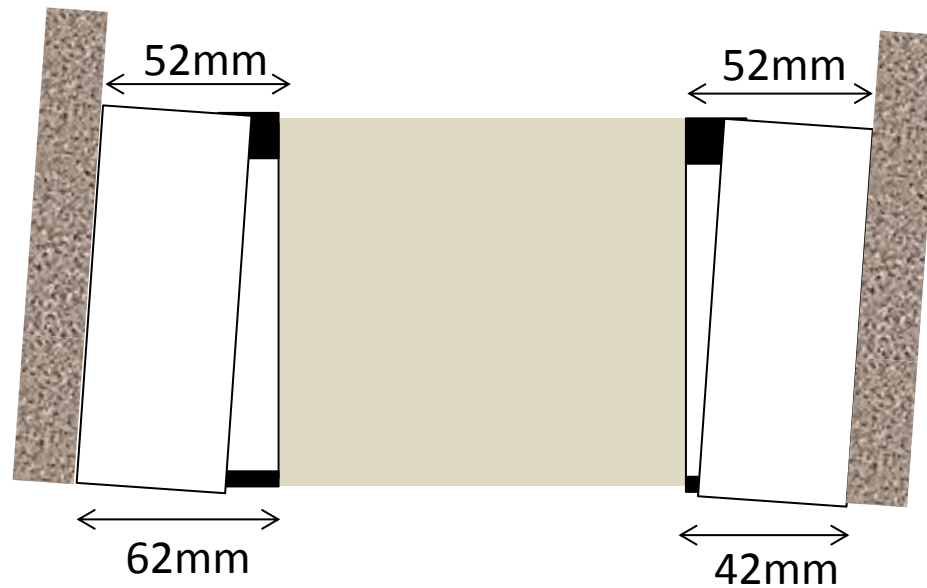
All 3 measurements are identical | Sides are parallel





# DETERMINE WIDTH OF ZIPSCREEN

## SCENARIO 02



Zipscreen can accommodate for uneven walls up to **10mm** on each side

# PRODUCT SPECIFICATIONS

SECTION E: MEASURE & SPECIFY		
CUSTOMER DETAILS		
Customer's Name:		
Job Number:		
INSTALLATION SPACE		
	<input type="text"/> TOP WIDTH (mm)*	<b>INSTRUCTIONS</b> <input type="text"/> Enter Blind Drops (mm)
	<input type="text"/> CENTRE WIDTH (mm)	
<input type="text"/> BOTTOM WIDTH (mm)	<input type="text"/> Enter Blind Drops (mm)	
<input type="text"/> LEFT DROP* (mm)	<input type="text"/> CENTRE DROP* (mm)	<input type="text"/> RIGHT DROP* (mm)
<small>x VALUE ONLY REQUIRED IF TOP, CENTRE &amp; BOTTOM WIDTHS EQUAL AND SIDES NOT LEVEL</small>		
<input type="text"/> x Value (mm)	<input type="text"/> Enter 'x' value (mm)	
<small>* If Top of Installation Space is uneven, ensure 'Top Width' measurement and all 'Drop' measurements are taken from 'Lowest Top Point' [refer 'Measure &amp; Specify Guidelines' - Tip 1 for further information]</small>		
INSTALLATION		
Installation Type	<input type="text"/>	<input type="text"/> Advise if installation is Box or Open Blind
<small>ONLY REQUIRED IF BOTTOM IS UNEVEN, ADVISE IF ONE SIDE GUIDE NEEDS TO BE LONGER THAN THE OTHER [only applicable if Side Guides are cut accurately during manufacturing and not trimmed on site]</small>		
One side guide to be longer than the other?	<input type="text"/>	<input type="text"/> Advise if one side guide to be longer than the other
Which Side is to be longer?	<input type="text"/>	<input type="text"/> Advise which Side is to be longer
Length Difference? (mm)	<input type="text"/>	<input type="text"/> Advise additional length for longer Side Guide
ACTUAL BLIND SIZE**		
BLIND WIDTH (mm):	<input type="text"/>	
BLIND DROP (mm):	<input type="text"/>	
<small>** Refer to 'Measure &amp; Specify Guidelines - Determining Actual Blind Size' to determine Blind Width and Drop</small>		
LEGEND		
<input type="text"/> Enter / Advise Values of Installation Site		
<input type="text"/> Calculated Values (Actual Blinds Sizes)		

## SPECIFY OPTIONS

### SPECIFY BUILDING MATERIAL & NOTIFY IF THERE ARE ANY TRIMS TO CONSIDER?



TRIM ON COLUMN

What building material is Zipscreen being fixed to?

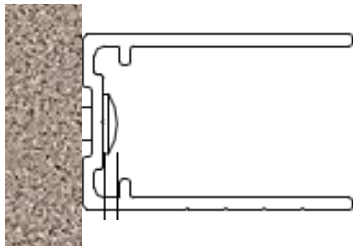
- Brick
- Timber
- Concrete
- Steel
- Etc

If there any obstructions

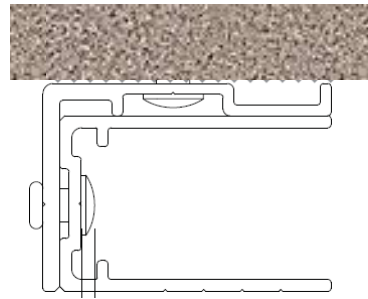
- Trims?
- Access to site / installation?

# SPECIFY OPTIONS

## ADVISE ON SIDE FIX OR FACE FIX APPLICATIONS



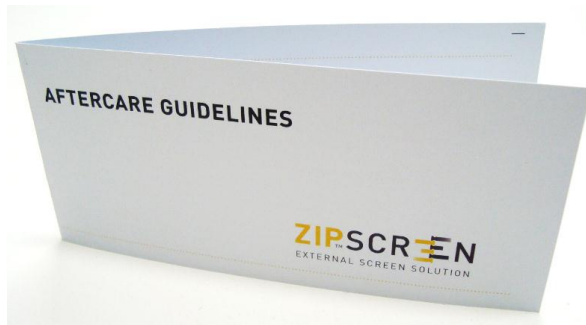
SIDE FIX



FACE FIX

- Number of blinds required
- Configuration layout
- Installation Configuration
  - Side Fix
  - Face Fix

# AFTERCARE GUIDELINES



In order to prolong the life of your Zipscreen blind and provide optimum performance, we recommend the following care and maintenance guidelines.

## REGULAR CLEANING (AT LEAST EVERY 3 MONTHS)

- Ensure surfaces are free from dirt, dust and grime.
- Clean Zipscreen blind with a soft brush.
- Run a soft brush along side channel to prevent dust and dirt build up on zip.
- Clean aluminium with a soft cloth and warm soapy water or a small amount of mild detergent if required. Do not use abrasive cleaning agents (eg. Ajax or steel wool) in any circumstance.

OPERATE THE ZIPSCREEN BLIND AT LEAST ONCE A WEEK TO PREVENT BUILD-UP OF DIRT THAT WILL INHIBIT THE OPERATION OF THE BLIND.

## DO NOT:

- Do not leave the Zipscreen blind down when you are away from your home or in extreme weather conditions.
- Do not roll the Zipscreen blind up when wet (to avoid mould and mildew).
- Do not force the Zipscreen blind up or down if it is jamming. Forcing the Zipscreen blind may result in further damage (for example, the zip may be forced out of the side channel, or the fabric may rip). Contact your Zipscreen supplier for guidelines of how to fix.
- Do not operate spring controlled Zipscreen blinds from the sides - always use the Weight Bar or Handle and pull from the centre.

## COMMON CHARACTERISTICS:

- Depending on the fabric selection, when the Zipscreen blind is initially pulled down some ripples may be evident. The ripples will lessen over time as the weight of the blind will stretch the fabric slightly and the ambient temperature will heat the fabric within an hour or so (depending on the weather).
- When a motorised blind is operated some 'jolting' may be evident. This effect is due to wind gusts causing spontaneous friction between the zip and side guides. This occurrence does not damage the blind.

**THANK YOU //**